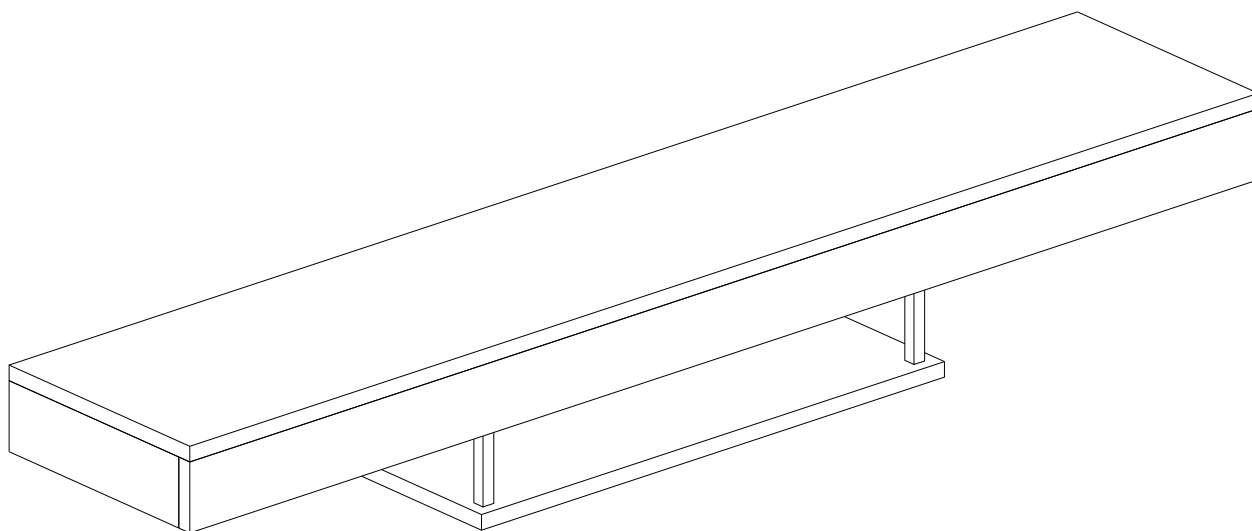
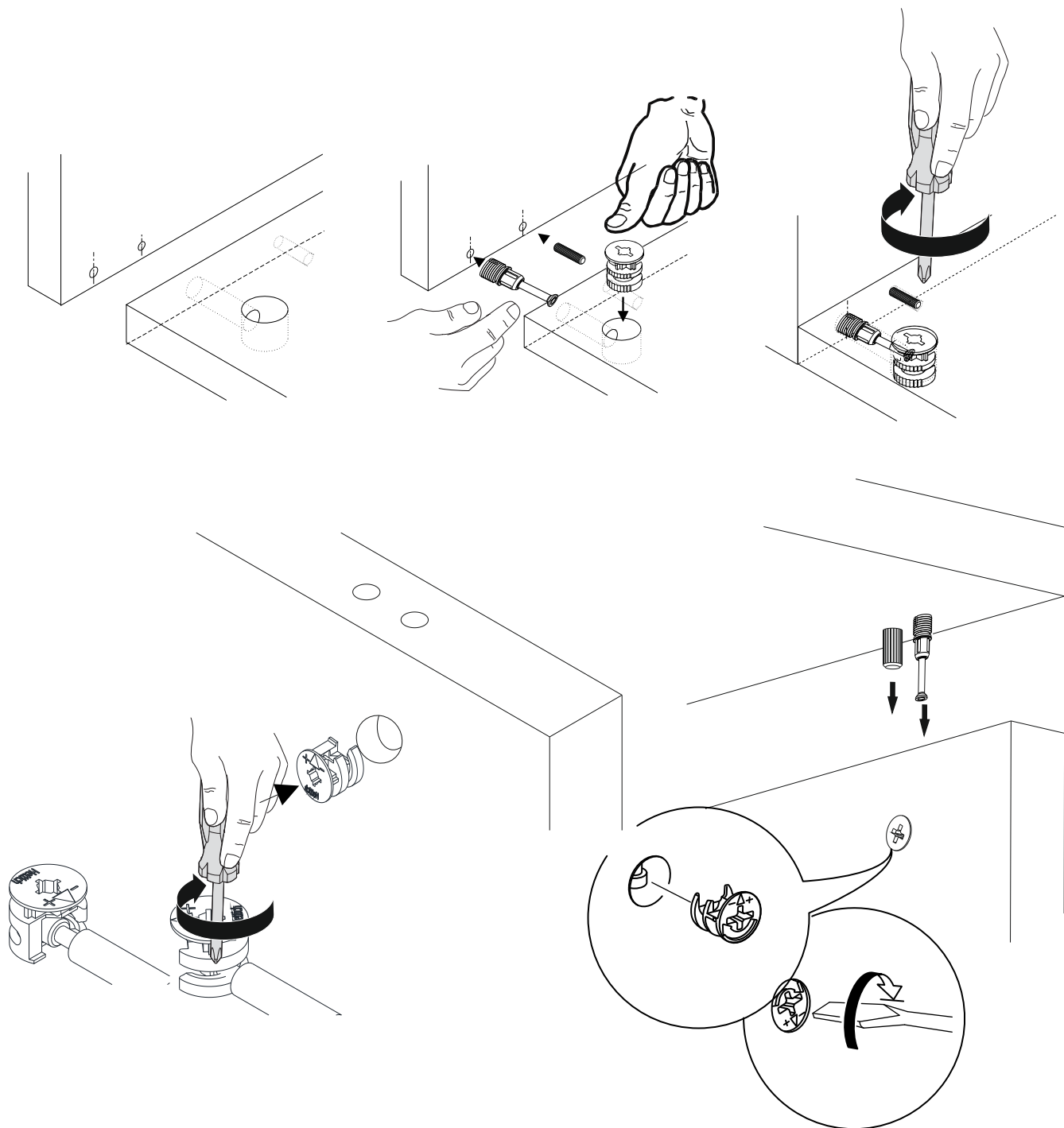


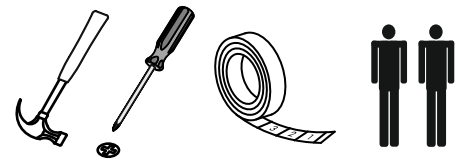



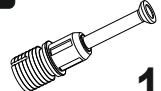

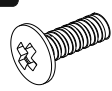
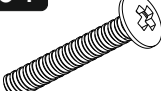
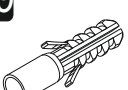
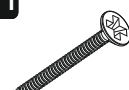


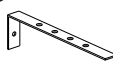

TVDF301

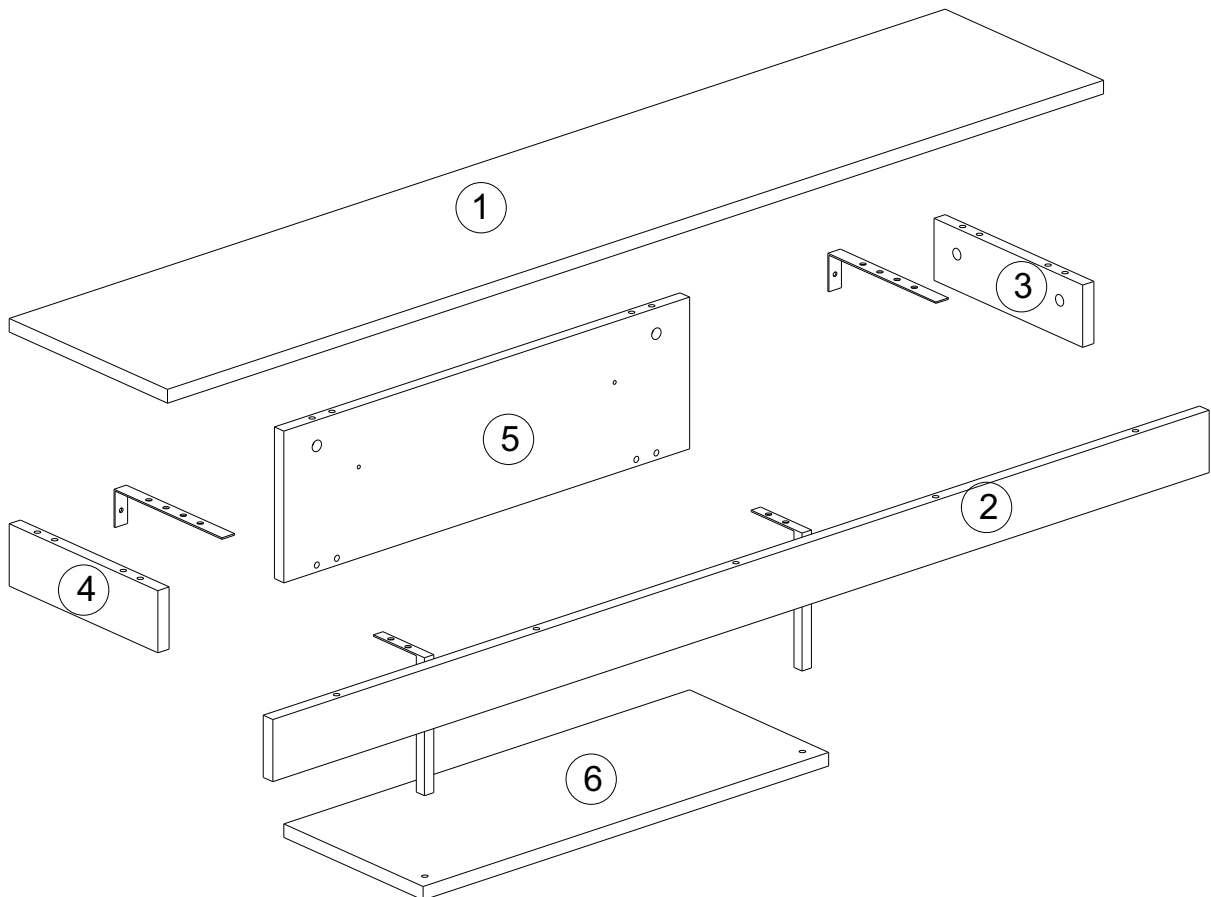
---



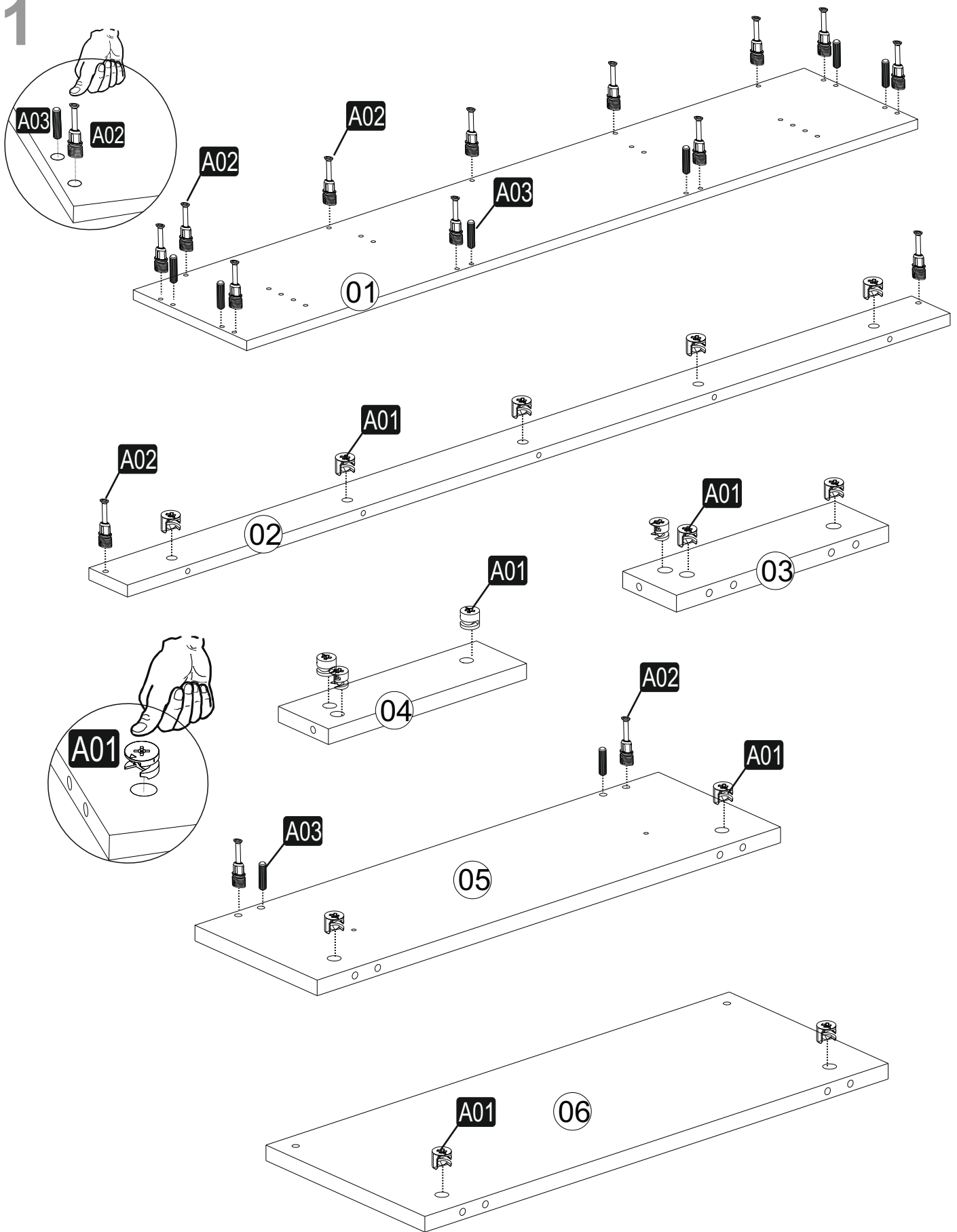




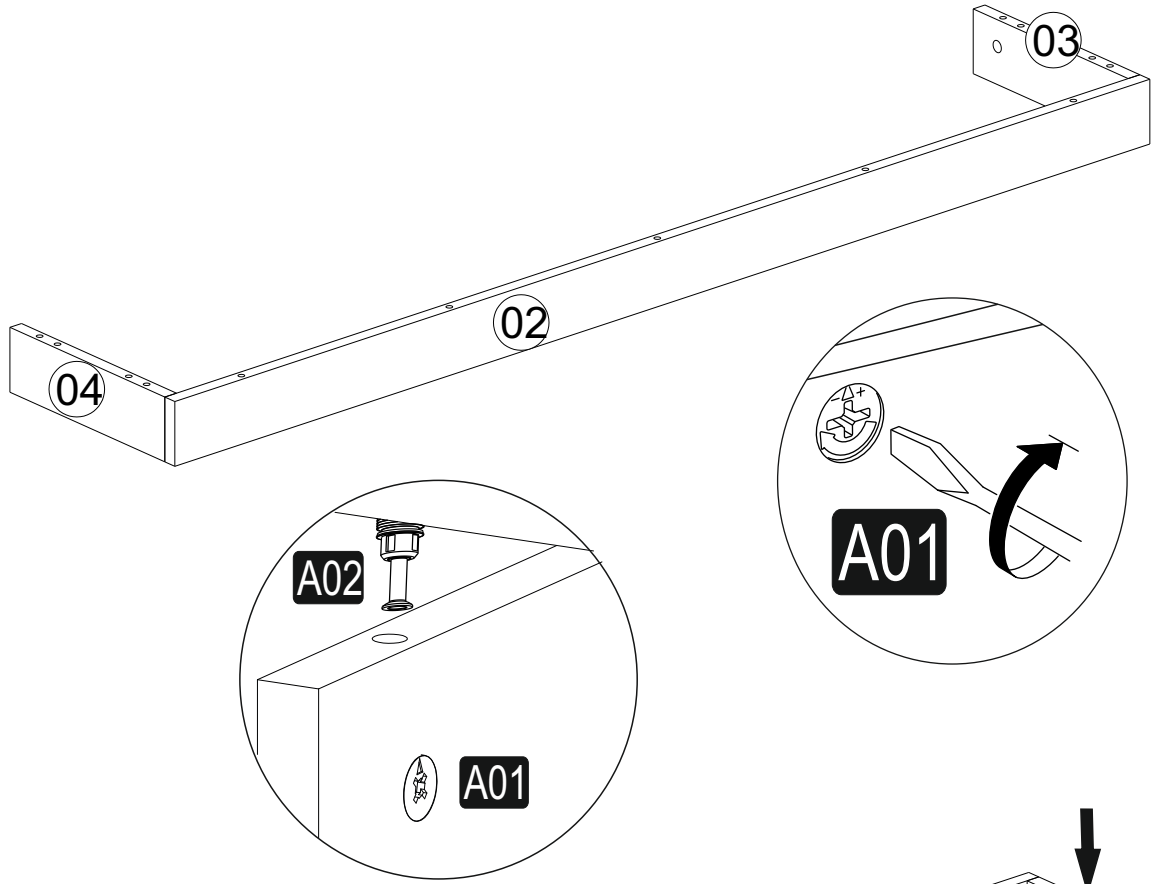
<b>A01</b>  <b>15x</b>	<b>A02</b>  <b>15x</b>	<b>A03</b>  <b>8x</b>	<b>B20</b> M6x10 YHB  <b>12x</b>	<b>B64</b> M6x30  <b>2x</b>
<b>D69</b> Ø8 Lik Rkt  <b>4x</b>	<b>D41</b> 5x70 YHB  <b>4x</b>	<b>A04</b>  <b>A 15x</b>	<b>D91</b>  DKR-194 Hi82*15*15 SYH <b>2x</b>	<b>D92</b>  DKR-195 H200*20*2 SYH <b>2x</b>
<b>A16</b>  <b>A 2x</b>				



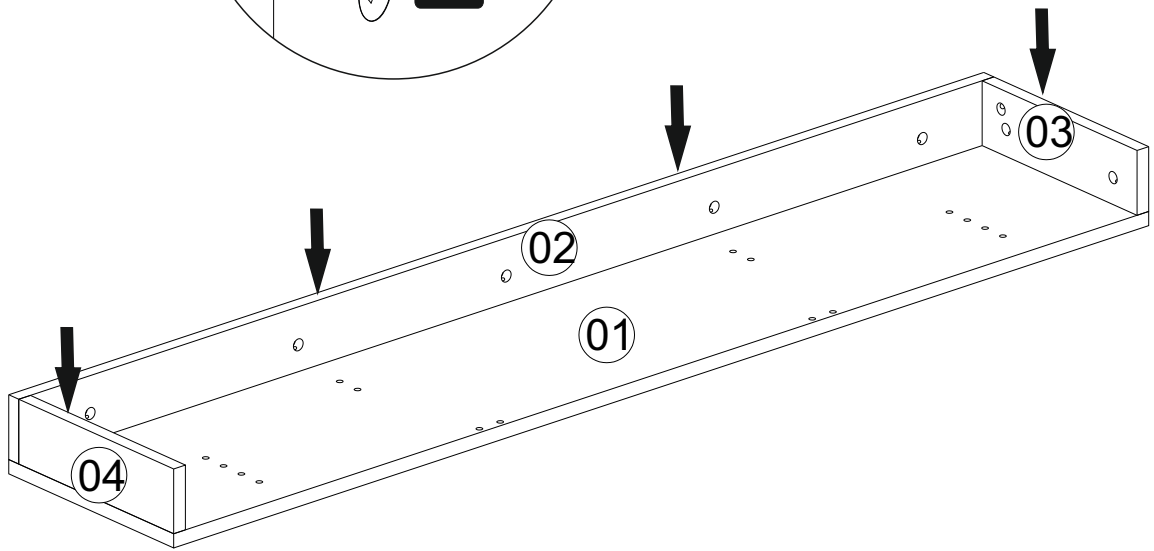
1



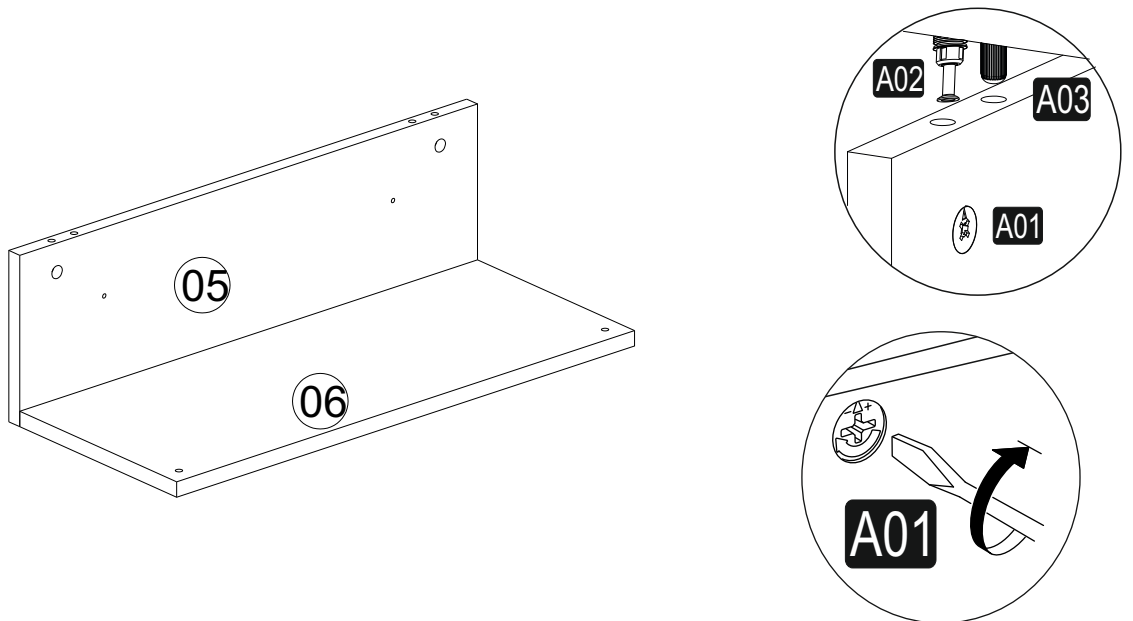
2



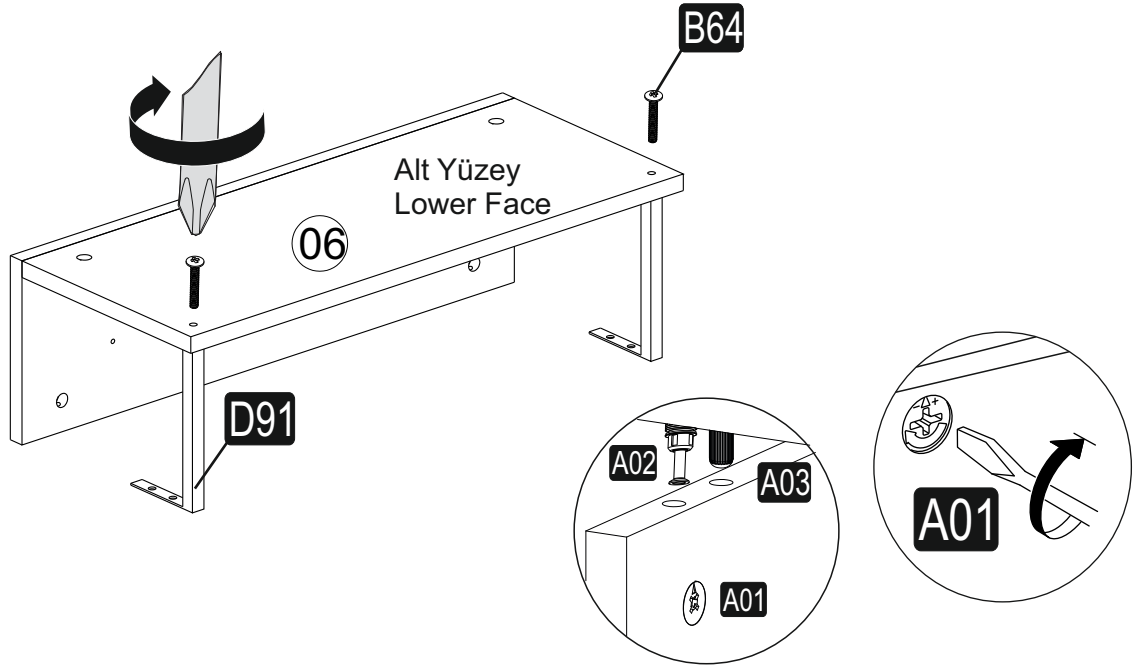
3



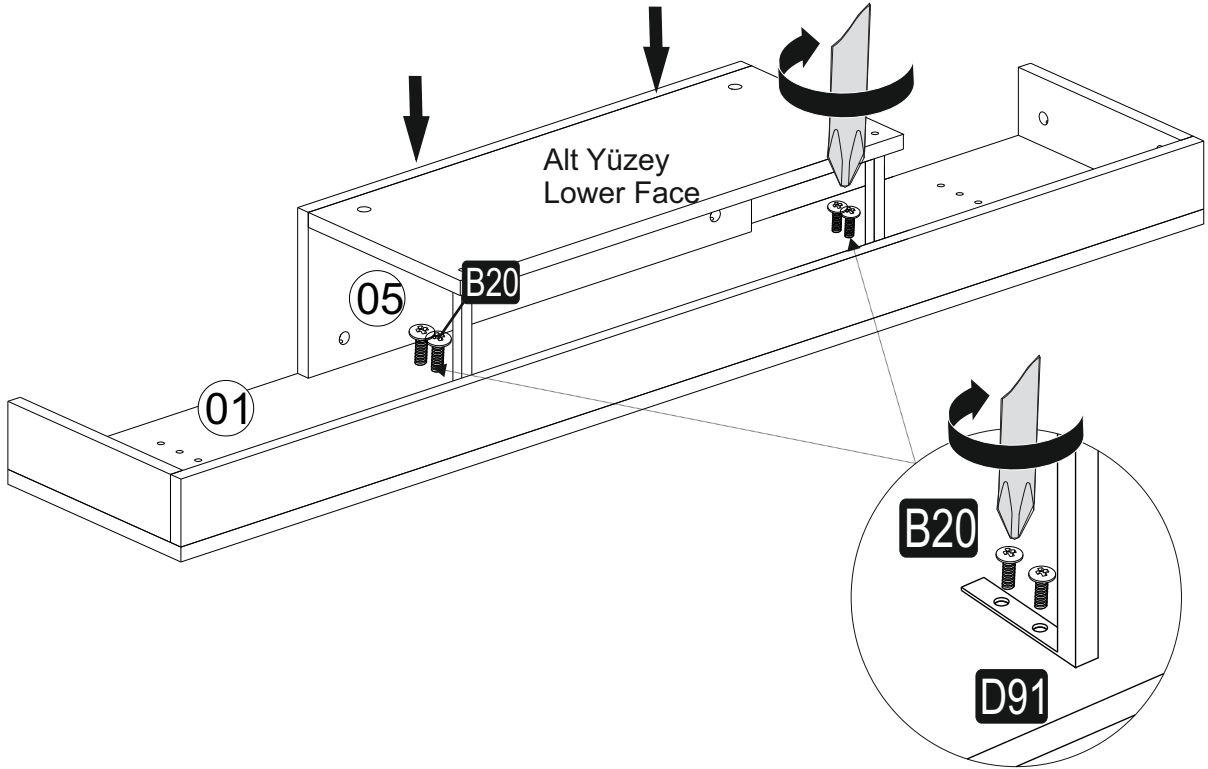
4



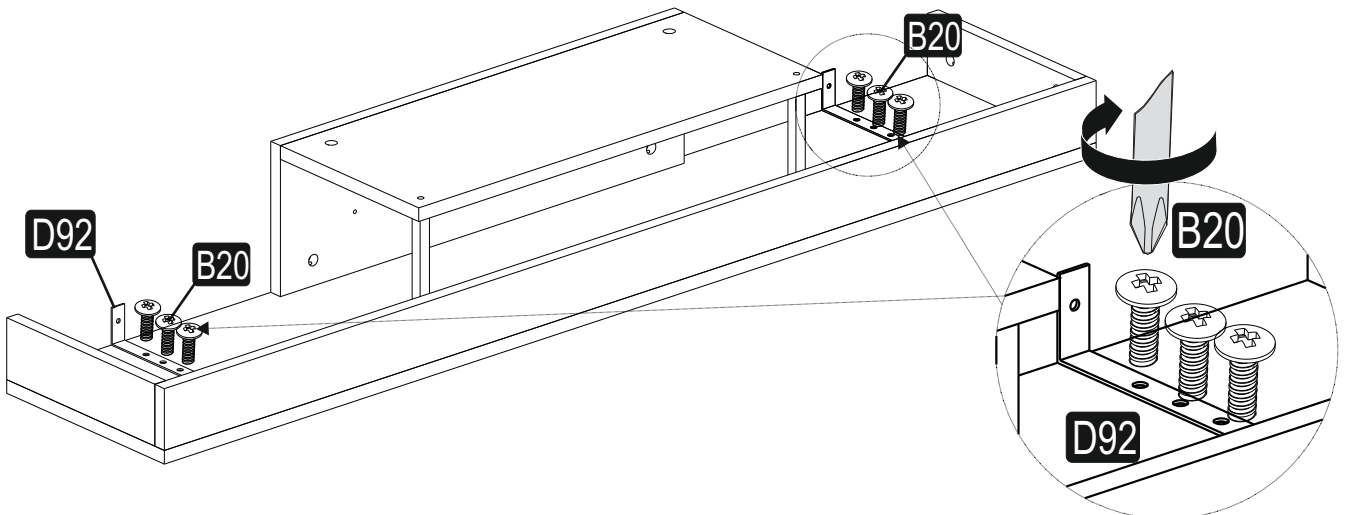
5

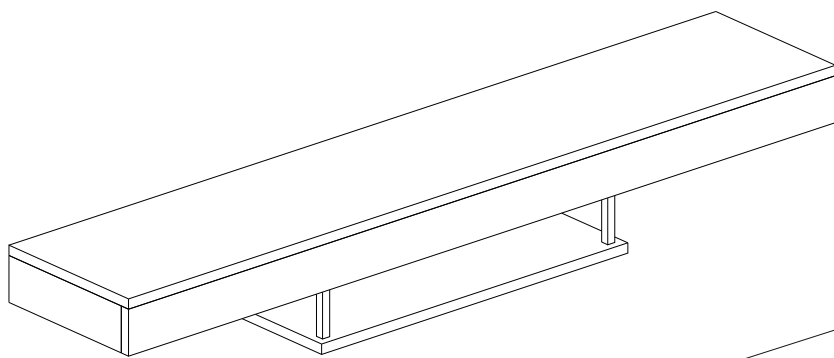


6

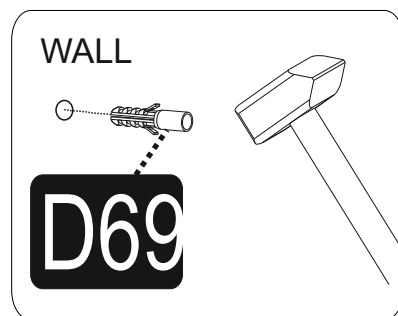
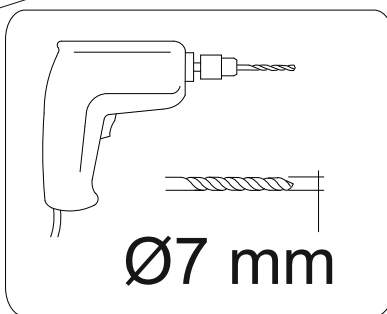


7

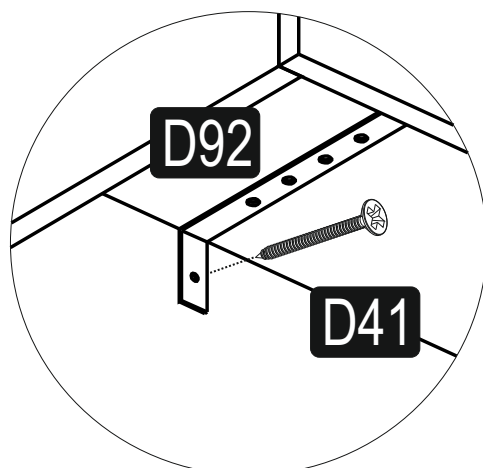




PART-1



PART-2



PART-3

